
Accu-Feed

ENGINEERING

P.O. Box 404 - 50 Newton Street - Norwalk, OH 44857-0404
Phone: 1-888-844-2228 Fax: 1-888-717-2228
Email: info@accu-feed.com
www.accu-feed.com

PNEUMATIC LOADER ACCESSORIES



81900 Collector Box	2
81930 Large Collector Box	4
Remote Filter Assemblies	6
81090 Filter Bag Assembly for Standard Loader	8
81090-01 Filter Bag Assembly for Mini-Loader	9
Wands & Accelerators, Wear-Resistant Wands & Accelerators, Grinder Spikes, Vibrators	10
Wand w/Vibrator Assembly Drawing	11
Parts Listing	12

81900 SERIES COLLECTOR BOXES



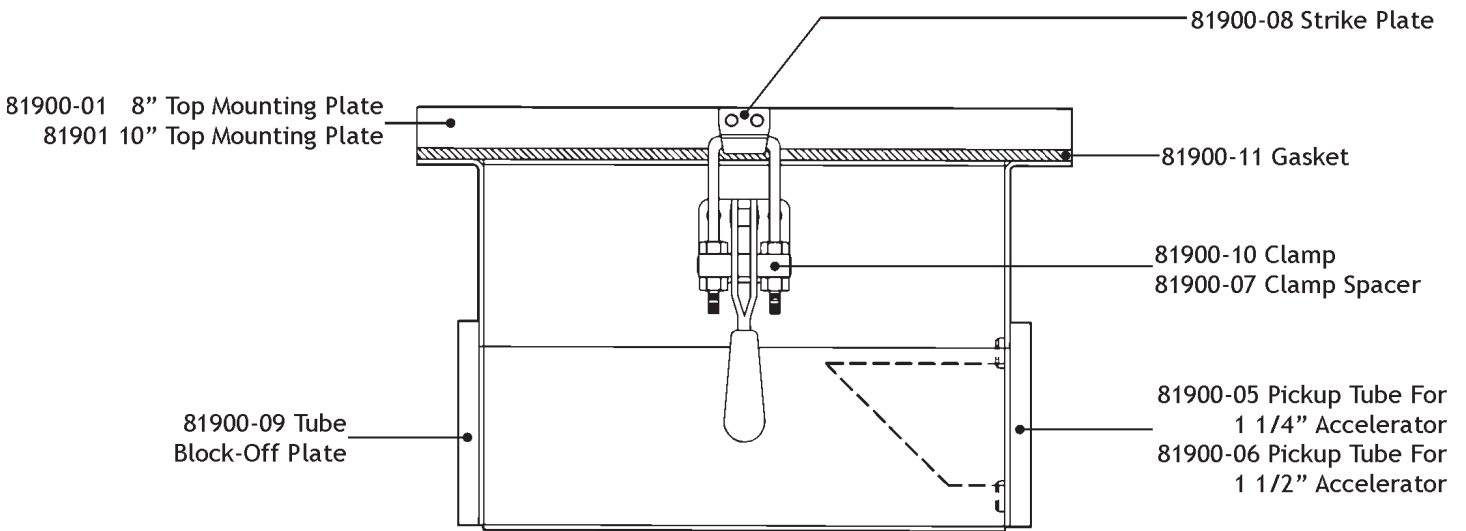
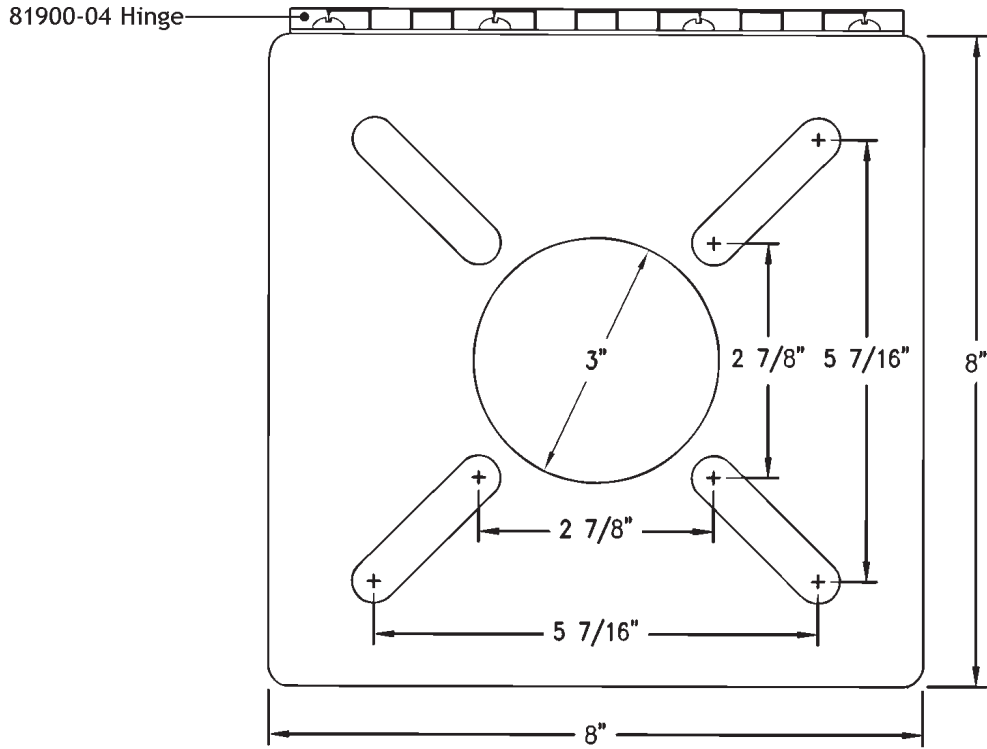
**OPTIONAL
ACCELERATOR**

81900	Collector Box for 1 1/4" Accelerator
81905	Collector Box for 1 1/2" Accelerator
81910	Collector Box for (2) 1 1/4" Accelerators
81915	Collector Box for (2) 1 1/2" Accelerators

OPTIONAL ACCELERATORS

81122	1 1/4" Accelerator
81123	1 1/2" Accelerator

With the optional 10" x 10" top mounting plate you may use up to a 9" x 9" bolt pattern. The 1/2" aluminum plate can be drilled and tapped or drilled and countersunk for using flat head bolts to mount to your hopper. If you supply your bolt dimensions and sizes, we will machine the plate to your specifications at no additional charge. For this optional plate, change the part number to have the suffix -10.



- | | | | |
|----------|------------------------------------|----------|------------------------|
| 81900-01 | 8" Top Mounting Plate | 81900-09 | Tube Block-Off Plate |
| 81900-05 | Pickup Tube for 1 1/4" Accelerator | 81900-10 | Toggle Clamp |
| 81900-06 | Pickup Tube for 1 1/2" Accelerator | 81900-11 | Gasket |
| 81900-07 | Clamp Spacer | 81901 | 10" Top Mounting Plate |
| 81900-08 | Strike Plate | | |

81930 SERIES LARGE COLLECTOR BOXES

OPTIONAL ACCELERATORS

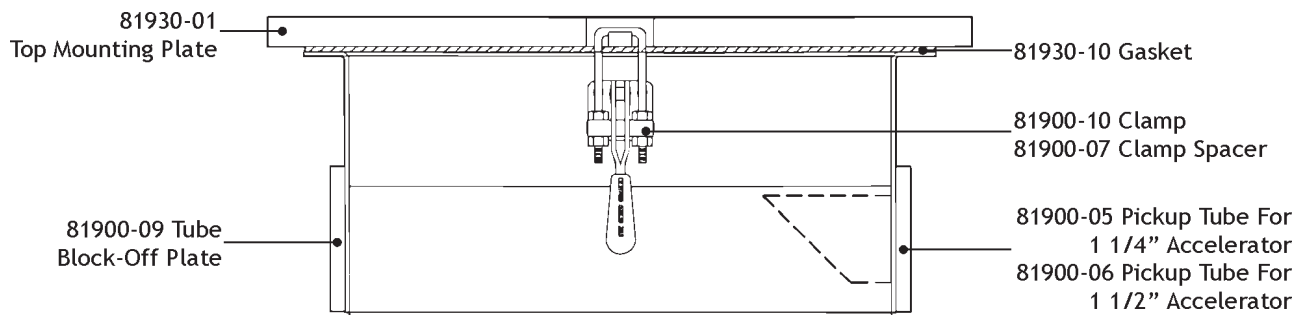
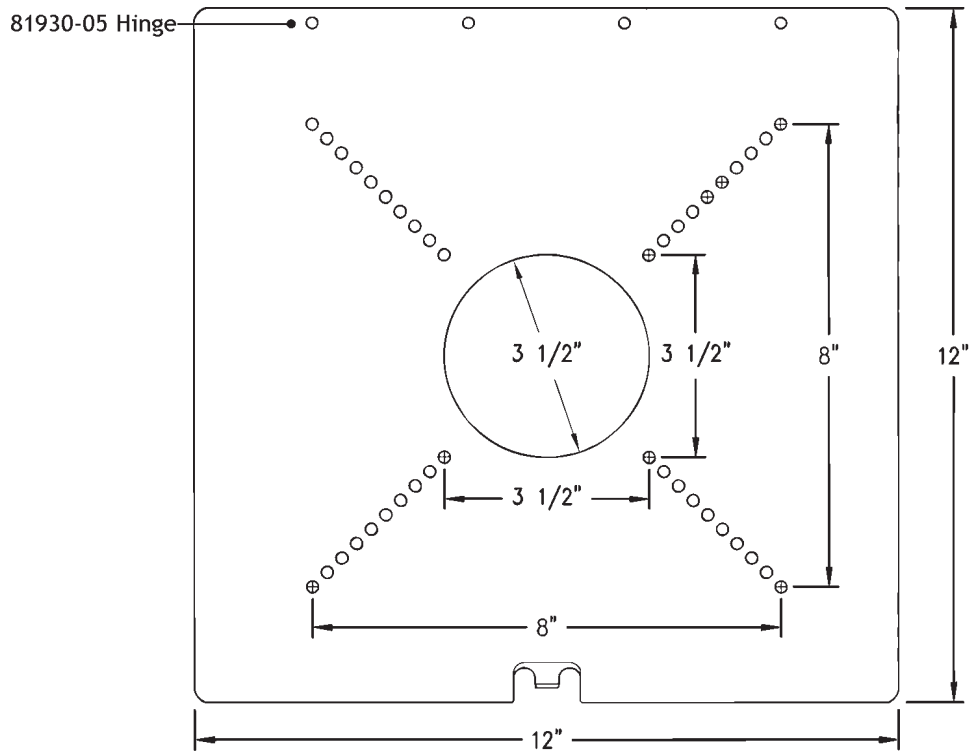


81931	Large Collector Box for (1) 1 1/4" Accelerator
81932	Large Collector Box for (2) 1 1/4" Accelerators
81933	Large Collector Box for (3) 1 1/4" Accelerators
81934	Large Collector Box for (4) 1 1/4" Accelerators
81935	Large Collector Box for (1) 1 1/2" Accelerator
81936	Large Collector Box for (2) 1 1/2" Accelerators
81937	Large Collector Box for (3) 1 1/2" Accelerators
81938	Large Collector Box for (4) 1 1/2" Accelerators

OPTIONAL ACCELERATORS

81122	1 1/4" Accelerator
81123	1 1/2" Accelerator

The 12" x 12" top plate comes with bolt patterns from 3 1/2" x 3 1/2" to 8" x 8" center drilled. This allows you to drill your bolt pattern with ease. Different bolt patterns can be layed out on the opposite side. If you supply your bolt pattern and bolt size, we will machine the plate to your specifications at no additional charge.



- 81900-05 Pickup Tube for 1 1/4" Accelerator
- 81900-06 Pickup Tube for 1 1/2" Accelerator
- 81900-07 Clamp Spacer
- 81900-09 Tube Block-Off Plate
- 81900-10 Toggle Clamp
- 81930-01 Top Mounting Plate (3 1/2" to 8" Bolt Pattern)
- 81930-10 Gasket

81280 30 GALLON REMOTE FILTER ASSEMBLY
81282 5 GALLON REMOTE FILTER ASSEMBLY



81280 30 Gallon Remote Filter Assembly
81282 5 Gallon Remote Filter Assembly

Each assembly includes: Remote Filter, 81097 Filter Bag Cover and 81137 10 Feet of 2" Diameter Material Transfer Hose w/Clamps. Additional inlet tubes can be added to the 81280 30 Gallon Remote Filter so the filter can be used with multiple loaders. The 81283 2" Y can also be added to the remote filters to add a second inlet tube.



- 81083 Filter Knob Assembly
- 81097 Filter Bag Cover w/Knob Assembly
- 81137 10 Feet of 2" Material Transfer Hose w/Clamps
- 81280-03 Inlet Tube
- 81280-04 Filter Bag (30 Gallon Remote Filter Assembly)
- 81282-05 Filter Bag (5 Gallon Remote Filter Assembly)
- 81283 2" Y for Remote Filter Assembly

81090 FILTER BAG ASSEMBLY FOR STANDARD LOADER



Each assembly includes: 81097 Filter Bag Cover, Clamp, 81092 Filter Bag, and 81093 Closure Bar.

- 81083 Filter Knob Assembly
- 81092 Filter Bag for Standard Loader (12" x 20")
- 81093 Closure Bar for Filter Bag (12" x 20")
- 81097 Filter Bag Cover w/Knob Assembly

81090-01 FILTER BAG ASSEMBLY FOR MINI-LOADER



Each assembly includes: 81097 Filter Bag Cover, Clamp, 81092-01 Filter Bag, and 81093-01 Closure Bar.

81083	Filter Knob Assembly
81092-01	Filter Bag for Mini-Loader (8 1/2" x 12")
81093-01	Closure Bar for Filter Bag (8 1/2" x 12")
81097	Filter Bag Cover w/Knob Assembly

**WANDS & ACCELERATORS,
WEAR-RESISTANT WANDS & ACCELERATORS
GRINDER SPIKES and VIBRATORS**

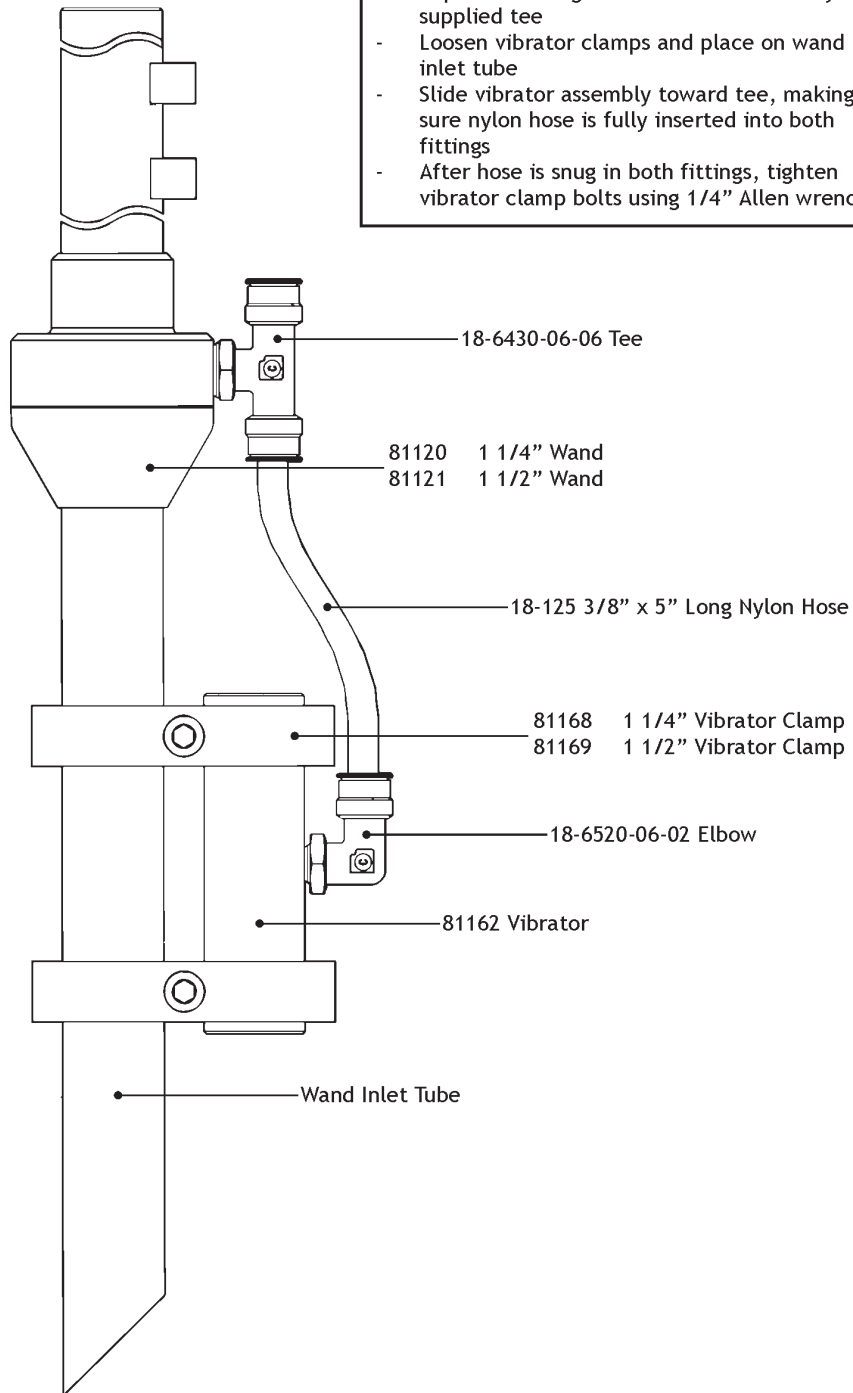


81120	1 1/4" Wand
81120-01	1 1/4" Wand w/Inlet Tube Guard
81121	1 1/2" Wand
81121-01	1 1/2" Wand w/Inlet Tube Guard
81122	1 1/4" Accelerator
81123	1 1/2" Accelerator
81126	1 1/4" Wear-Resistant Wand
81127	1 1/2" Wear-Resistant Wand
81128	1 1/4" Wear-Resistant Accelerator
81129	1 1/2" Wear-Resistant Accelerator
81160	Vibrator Assembly w/Clamps for 1 1/4" Wand
81161	Vibrator Assembly w/Clamps for 1 1/2" Wand
81162	Vibrator
81168	Clamps for 1 1/4" Wand Vibrator
81230	Grinder Spike for 1 1/4" Accelerator
81231	Grinder Spike for 1 1/2" Accelerator

WAND w/VIBRATOR ASSEMBLY

Mounting Instructions To Existing Wand

- Replace existing elbow on wand assembly with supplied tee
- Loosen vibrator clamps and place on wand inlet tube
- Slide vibrator assembly toward tee, making sure nylon hose is fully inserted into both fittings
- After hose is snug in both fittings, tighten vibrator clamp bolts using 1/4" Allen wrench



LOADER PARTS LIST

81000	Hopper Assembly w/Tube for 1 1/4" Hose
81001	Hopper Assembly w/Tube for 1 1/2" Hose
81002	Hopper Assembly w/Tube for (2) 1 1/4" Hoses
81003	Hopper Assembly w/Tube for 1 1/4" Hose & 1 1/2" Hose
81004	Hopper Assembly w/Tube for (2) 1 1/2" Hoses
81020	Hopper Assembly w/Flange for 1 1/4" Hose
81021	Hopper Assembly w/Flange for 1 1/2" Hose
81022	Hopper Assembly w/Flange for (2) 1 1/4" Hoses
81023	Hopper Assembly w/Flange for 1 1/4" Hose & 1 1/2" Hose
81024	Hopper Assembly w/Flange for (2) 1 1/2" Hoses
81040	Hopper w/Tube for 1 1/4" Hose
81041	Hopper w/Tube for 1 1/2" Hose
81042	Hopper w/Tube for (2) 1 1/4" Hoses
81043	Hopper w/Tube for (1) 1 1/4" Hose & (1) 1 1/2" Hose
81044	Hopper w/Tube for (2) 1 1/2" Hoses
81060	Hopper w/Flange for 1 1/4" Hose
81061	Hopper w/Flange for 1 1/2" Hose
81062	Hopper w/Flange for (2) 1 1/4" Hoses
81063	Hopper w/Flange for (1) 1 1/4" & (1) 1 1/2" Hose
81064	Hopper w/Flange for (2) 1 1/2" Hoses
81080	Baffle Assembly
16521	Autoload Jr Filter Adapter
81081	Air Filter (8" OD x 6 1/2" ID x 4")
81081-OS	Air Filter (7 1/4" OD x 3" ID x 4 15/16")
81082	Filter Cover w/Knob Assembly
81083	Filter Knob Assembly
81084	Filter Stud & Nut
81085	Screen Plate w/Gasket
81085-01	Screen Plate Gasket
81086	Latch (Filter Hold Down)
81087	Hopper Gasket
81090	Filter Bag Assembly for Standard Loader (12" x 20") (Cover, Clamp, Bag & Closure Bar)



81090-01	Filter Bag Assembly for Mini-Loader (8 1/2" x 12") (Cover, Clamp, Bag & Closure Bar)
81092	Filter Bag for Standard Loader (12" x 20")
81092-01	Filter Bag for Mini-Loader (8 1/2" x 12")
81093	Closure Bar for Filter Bag (12" x 20" Standard Loader Bag)
81093-01	Closure Bar for Filter Bag (8 1/2" x 12" Mini-Loader Bag)
81097	Filter Bag Cover w/Knob Assembly
81100	3" Polycarbonate Sight Glass Assembly w/Sensor
81100-G	3" Glass Sight Glass Assembly w/Sensor
81100-01	End Bell for 3" Sight Glass
81100-03	Support Rods for 3" Sight Glass
81100-04	Tube (Polycarbonate) for 3" Sight Glass
81100-04-G	Tube (Glass) for 3" Sight Glass
81100-05	Tube Seal for 3" Sight Glass
81100-06	End Bell O-Ring for 3" Sight Glass
81100-07	Sensor Bracket for 3" Sight Glass
81100-08	Adjustment Knob for 3" Sight Glass
81101	8" Sight Glass Assembly w/Sensor
81101-10	Magnet Clips (2) for 8" Sight Glass
81101-12	Tube (Polycarbonate) for 8" Sight Glass
81101-13	Tube Seals (2) for 8" Sight Glass
81101-20	Magnet for 8" Sight Glass
81101-25	8" x 8" Mounting Plate for 8" Sight Glass
81101-26	10" x 10" Mounting Plate for 8" Sight Glass
81101-28	Sensor Bracket for 8" Sight Glass
81105-10	Standard Material Loader Sensor w/6' Long Cable
81105-11	Material Loader Sensor w/12' Lengthened Cable
81105-12	Hopper Disconnect Sensor w/3" Cable (Use with 81105-14 12' Extender Cable)
81105-13	6' Long Sensor Extender Cable
81105-14	12' Long Sensor Extender Cable
81110	Sight Glass Magnet (Tube Style) O/S
81110-01	Magnet Hole Plug
81111	Sight Glass Drop-In Magnet
81115	Hopper Drop-In Magnet
81120	1 1/4" Wand



81120-01	1 1/4" Wand w/Inlet Tube Guard
81121	1 1/2" Wand
81121-01	1 1/2" Wand w/Inlet Tube Guard
81122	1 1/4" Accelerator
81123	1 1/2" Accelerator
81126	1 1/4" Wear-Resistant Wand
81127	1 1/2" Wear-Resistant Wand
81128	1 1/4" Wear-Resistant Accelerator
81129	1 1/2" Wear-Resistant Accelerator
81130	One Foot of 1 1/4" Material Transfer Hose
81131	Ten Feet of 1 1/4" Material Transfer Hose w/Clamps
81132	Fifteen Feet of 1 1/4" Material Transfer Hose w/Clamps
81133	One Foot of 1 1/2" Material Transfer Hose
81134	Ten Feet of 1 1/2" Material Transfer Hose w/Clamps
81135	Fifteen Feet of 1 1/2" Material Transfer Hose w/Clamps
81136	One Foot of 2" Material Transfer Hose
81137	Ten Feet of 2" Material Transfer Hose
81138	Hose Clamp (1 1/2" Material Transfer Hose)
81139	Hose Clamp (1 1/4" Material Transfer Hose)
81140	One Foot of 1/4" Plastic Air Line Tubing
81141	Ten Feet of 1/4" Plastic Air Line Tubing
81145	One Foot of 3/8" Plastic Air Line Tubing
81146	Ten Feet of 3/8" Plastic Air Line Tubing
81147	Fifteen Feet of 3/8" Plastic Air Line Tubing
81160	Vibrator Assembly w/Clamps for 1 1/4" Wand
81161	Vibrator Assembly w/Clamps for 1 1/2" Wand
81162	Vibrator
81168	Clamps for 1 1/4" Wand Vibrator
81169	Clamps for 1 1/2" Wand Vibrator
81180	Material Shut-off Valve for use w/Flanged Hopper
81180-01	Shut-off Valve Top Plate
81180-12	Tube Adapter Plate
81181	Material Shut-off Valve for use w/Tube Hopper
81200	11000 Series Base Unit Mounting Plate w/o Clamps



81201	11000 Series Base Unit Mounting Plate w/Clamps
81202	12000 Series Feeder Mounting Plate w/o Clamps
81203	12000 Series Feeder Mounting Plate w/Clamps
81204	50500 Series Base Unit Mounting Plate
81205	50500 Series Feeder Mounting Plate
81206	50500 Series Feeder 4" Offset Adapter
81207	50500 Series Feeder 6" Offset Adapter
81219	Tube for Mounting Sight Glass Assembly on Regular Hopper
81220	Tube for Mounting Sight Glass Assembly on Drying Hopper
81221	1" Tube w/Flange for Hopper Mounting
81222	6" Tube w/Flange for Hopper Mounting (Drying Hopper)
81223	9" Tube w/Flange for Hopper Mounting (Drying Hopper)
81224	12" Tube w/Flange for Hopper Mounting (Drying Hopper)
81227	6" x 6" Plate for Tube w/Flange (To Cover Large Opening In Hopper)
81228	8" x 8" Plate for Tube w/Flange (To Cover Large Opening In Hopper)
81229	10" x 10" Plate for Tube w/Flange (To Cover Large Opening In Hopper)
81230	Grinder Spike for 1 1/4" Accelerator
81231	Grinder Spike for 1 1/2" Accelerator
81280	Remote Filter Assembly (30 Gallon)
81280-04	Filter Bag (30 Gallon Remote Filter Assembly)
81282	Remote Filter Assembly (5 Gallon)
81282-05	Filter Bag (5 Gallon Remote Filter Assembly)
81283	2" Y for Remote Filter Assembly
81300	5" x 5" Blank Machine Mounting Plate
81305	6" x 6" Blank Machine Mounting Plate
81310	7" x 7" Blank Machine Mounting Plate
81315	8" x 8" Blank Machine Mounting Plate
81320	10" x 10" Blank Machine Mounting Plate
81321	12" x 12" Blank Machine Mounting Plate
81800	Single Loader Standard Control
81800-1/2	Single Loader Standard Control w/1/2" Filter Regulator
81805	Single Loader Standard Control w/Low Level Alarm
81816	Single Loader Control w/Timer & Shut-off Valve Circuit
81830	Dual Loader Proportional Control (2 Tubes, 1 Sensor)



81832	Dual Loader Standard Control (2 Loaders, 2 Sensors)
81900	Collector Box for 1 1/4" Accelerator
81900-01	8" Top Mounting Plate
81900-05	Pickup Tube for 1 1/4" Accelerator
81900-06	Pickup Tube for 1 1/2" Accelerator
81900-07	Clamp Spacer
81900-08	Strike Plate
81900-09	Tube Block-Off Plate
81900-10	Toggle Clamp
81900-11	Gasket for 81900 Collector Box
81901	10" Top Mounting Plate
81905	Collector Box for 1 1/2" Accelerator
81910	Collector Box for (2) 1 1/4" Accelerators
81915	Collector Box for (2) 1 1/2" Accelerators
81930	Blank Large Collector Box (3 1/2" to 8" Bolt Pattern)
81930-01	12" Top Mounting Plate (3 1/2" to 8" Bolt Pattern)
81930-10	Gasket for 81930 Large Collector Box
81931	Large Collector Box for 1 1/4" Accelerator
81932	Large Collector Box for (2) 1 1/4" Accelerators
81933	Large Collector Box for (3) 1 1/4" Accelerators
81934	Large Collector Box for (4) 1 1/4" Accelerators
81935	Large Collector Box for 1 1/2" Accelerator
81936	Large Collector Box for (2) 1 1/2" Accelerators
81937	Large Collector Box for (3) 1 1/2" Accelerators
81938	Large Collector Box for (4) 1 1/2" Accelerators
83000	Mini-Loader w/Sight Glass
83020-05	Sight Glass Tube (Mini-Loader)
83020-20	Inlet Tube & Sensor Body (Mini-Loader)
83020-21	Sight Glass Assembly (Mini-Loader)
83040	6" x 6" Machine Mounting Plate
83043	8" x 8" Machine Mounting Plate
83044	10" x 10" Machine Mounting Plate
83045	6" x 6" Hopper Mounting Plate
83047	8" x 8" Hopper Mounting Plate



83048	4" x 4" Hopper Mounting Plate
83050	1" Tube w/Flange for Hopper Mounting
83050-01	6" Tube w/Flange for Hopper Mounting
83050-02	9" Tube w/Flange for Hopper Mounting
83050-03	12" Tube w/Flange for Hopper Mounting
18-101	3/8" Air Valve w/120 Volt Solenoid
18-101-01	120 Volt Solenoid
18-103-E	Air Gauge 0-100 P.S.I. (1 1/2")
99-13-139	2 Pin Panel Socket (Conxall)
99-13-140	2 Pin Cable Plug w/Strain Relief (Conxall)
99-13-141	2 Pin Cable to Cable Connector w/Strain Relief